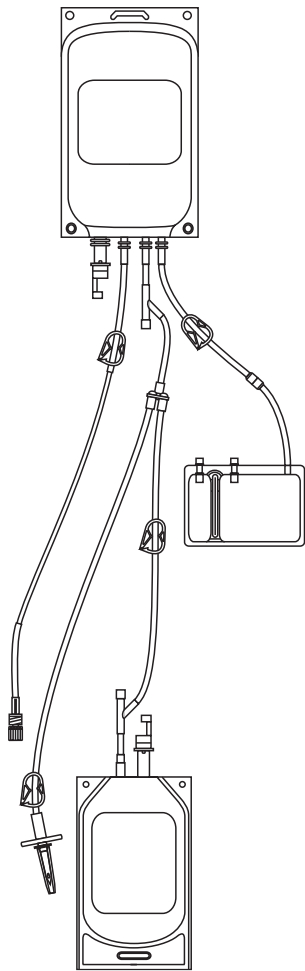


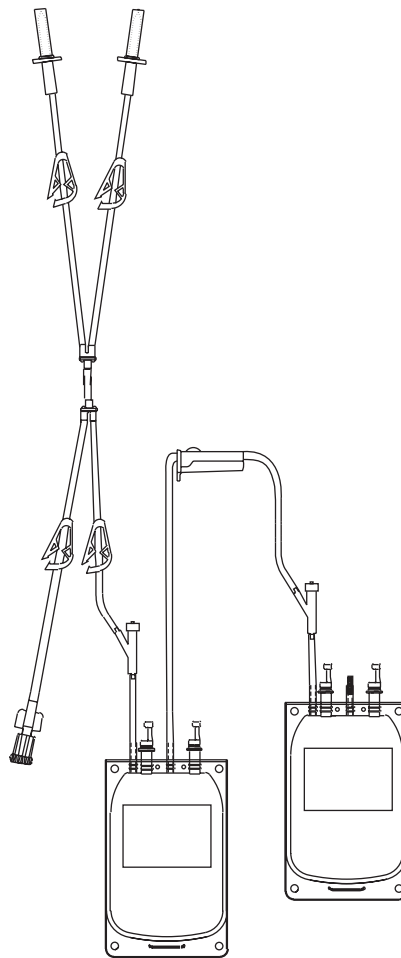
# Blood Processing and Storage Sets



## Processing Bag Set 8-0343-0

*For processing and storage of 25 ml cryopreserved, concentrated blood samples*

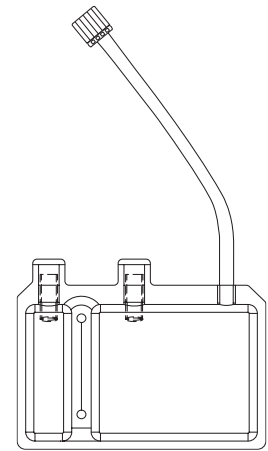
- Each set consists of bags connected by integral tubing for concentration and storage of blood sample.
- The freezing bag is a uniquely designed two-compartment bag for storage in liquid nitrogen.
- Multiple medical injection sites for sampling



## Cell Wash Bag Set 8-0344-0

*For processing of stored blood samples*

- Each set consists of bags connected by integral tubing for processing of blood samples and leads for attaching the freezing bag.
- Multiple medical injection sites for sampling
- Compatible with 8-0343-0



## Freezing Bag 8-0346-0

*For cryopreservation of 25 ml concentrated blood samples*

- Uniquely designed two-compartment, three-dimensional bag

## Ordering Information (For Asia & Latin America)

<b>PROCESSING BAG SET</b>	8-0343-0, 24 units/case
<b>INFUSION BAG SET</b>	8-0344-0, 24 units/case
<b>FREEZING BAG</b>	8-0346-0, 4 units/package, 48 units/case

thermogenesis® 

Rancho Cordova, California U.S.A.  
Tel: 1.800.783.8357 (U.S./Canada)  
Direct: 1.916.858.5100  
Fax: 1.916.858.5199  
Web: [www.thermogenesis.com](http://www.thermogenesis.com)

*Manufactured by Pall Corp. (U.S.). Available through Pall Corp. in North America and Europe and distributed by THERMOGENESIS CORP. in Asia and Latin America.*

Copyright © THERMOGENESIS CORP. 2003  
All Rights Reserved Patents pending 7-08-026C